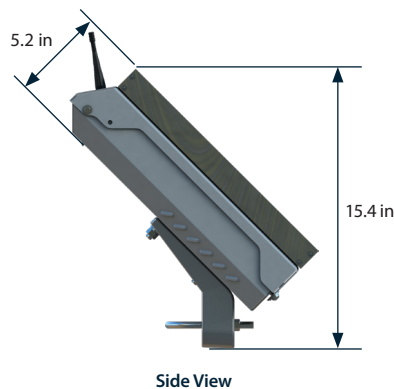
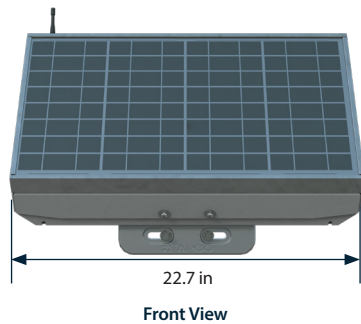


PEDESTRIAN CROSSWALK SYSTEM

Solar-Powered RRFB

20W/44Ah TOP-OF-POLE SELF-CONTAINED CONTROL CABINET

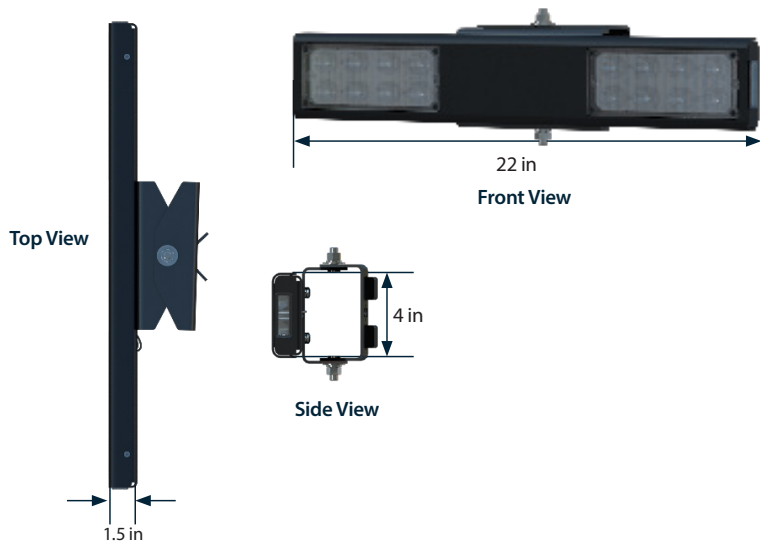
HOUSING	NEMA 3R type aluminum
SOLAR PANEL	20 watt
BATTERY	12V, up to 44Ah
BATTERY LIFESPAN	3 to 5 years, field replaceable
MOUNTING OPTIONS	Round poles: 2 $\frac{3}{8}$ " up to 4 $\frac{1}{2}$ "; Square posts: 1 $\frac{3}{4}$ " up to 2 $\frac{1}{2}$ "
MOUNTING HARDWARE	Stainless steel hardware
WARRANTY	3-year limited battery warranty 5-year limited system warranty 10-year limited solar panel warranty



RECTANGULAR RAPID FLASHING BEACON: RRFB-XL2™

LIGHT BAR HOUSING	Black powder-coated aluminum
VEHICLE LED MODULES	7"W x 3"H; 2 arrays of 8 amber LEDs spaced 7" apart, SAE J595 class 1 certified (required on both sides of street in accordance with Interim Approval 21)
PEDESTRIAN LED MODULES	0.5"W x 1.75"H side-viewable, flash simultaneously with vehicle LED (optional, one or both sides)
DIMMING	Variable based on photocell sensor input
FLASH PATTERN	Interim Approval 21 compliant WW + S
FLASH RATE	Interim Approval 21 compliant, 50 milliseconds
MOUNTING HARDWARE	Universal mounting bracket
WIND LOAD RATING	Up to 120mph*
OPERATING TEMPERATURE RANGE	-40°F to 122°F (-40°C to 50°C)

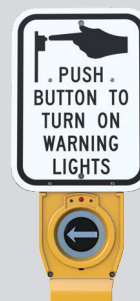
*Dependent upon pole size and system arrangement



RRFB-XL2™



BLINKERBEAM® WIRELESS RADIO



XAV2-LED PUSH BUTTON



BULLDOG PUSH BUTTON

BLINKERBEAM® WIRELESS COMMUNICATION

FREQUENCY	900 MHz FHSS (Frequency Hopping Spread Spectrum)
RANGE	900 feet (radio site survey recommended)
CONNECTIVITY	Crosswalk and optional advanced warning LEDs activate concurrently

ACTIVATIONS

PUSH BUTTON ACTIVATION	ADA push button, typical (<120 millisecond)
USER-ACTUATED PUSH BUTTON	XAV2-LED or Bulldog 300, 20-second daily activations minimum
PASSIVE DETECTION	Wireless bollards
AUTONOMY	22-day minimum

OPTIONAL PROGRAMMING

BlinkLink®	Optional cloud software with cellular modem**
-------------------	---

**Dependent upon system configuration



(800) 236-0112

TAPCO.net.com