



DATA SHEET SSF-86-3

216A

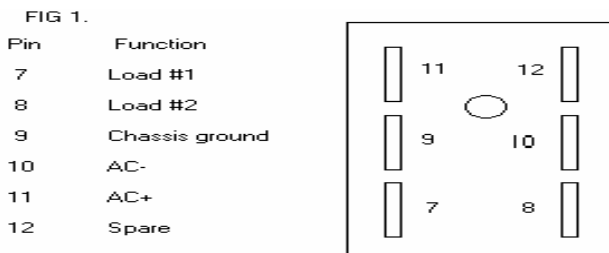


Solid State Flasher:

Description:

The PDC model SSF-86 solid state flasher is a dual circuit flasher designed for the Traffic Control Industry. This unit is conservatively rated up to 20 A per circuit. The flash rate is 56.25 flashes per minute and does not vary due to voltage or temperature variations. With the zero voltage switching design, there are no contacts to wear out or deteriorate due to arcing or corrosion. Also, extended life of the bulbs can be expected as well as reduced Radio Frequency Interference (RFI). The extruded aluminum heatsink provides more than adequate heat dissipation.

Connector Pinout:



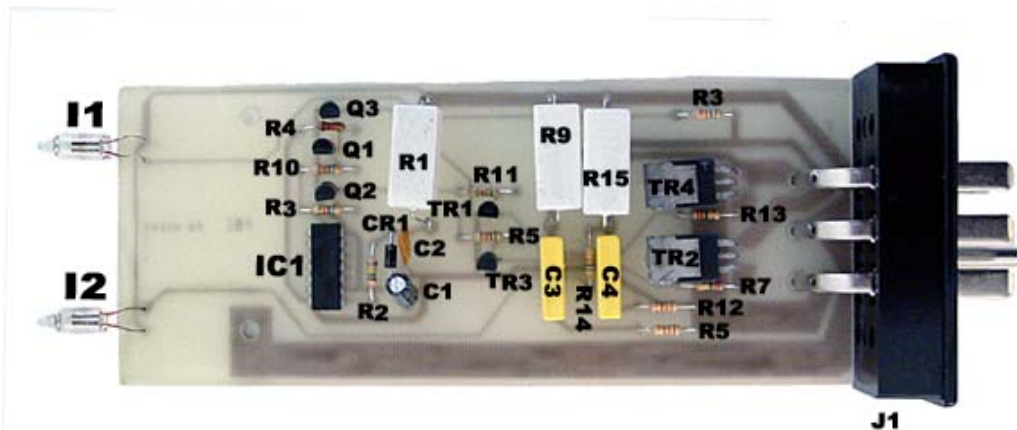
Mates with a Beau P-5406-LAB or equivalent

Electrical Characteristics:

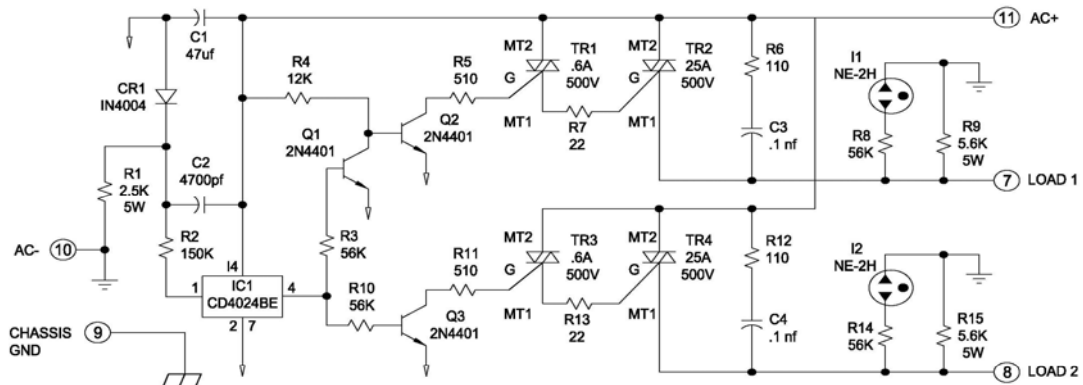
Zero voltage turn on-----	0V +5 degrees
Zero voltage turn off-----	0A +5 degrees
Tungsten Lamp or Gas Tubing Transformer load-----	Up to 20 A max.
Operating Voltage-----	60-135 VAC
Mechanical-----	Length.....8.40 inches
	Width.....1.70 inches
	Height.....4.18 inches
	Weight.....1.135 lbs

Operating Temperature : Full load from -35 to +74 degrees C

Guarantee: The flasher is fully guaranteed against all failures due to manufacturing defects for two years.



Item	Qty	Description	PDC P/N	Mfg	Mfg P/N	Ref Des
1	1	Label, S/N	00043	PDC	00043	
2	1	Chassis	00204	PDC	00240	
3	1	Cover	00384	PDC	00384	
4	1	Bar, Triac Mount	00212	PDC	00212	
5	1	Label, Front Panel	00345-2	PDC	00345-2	
6	1	P.C. Board Fab.	00247	PDC	00247	
7	1	Cap. 47uf 16V	C0001	Panasonic	ECE-A-16V47	C1
8	1	Cap. 4700pf	C0002	Allied	CCD-472	C2
9	2	Cap. .1uf 400V	C0003	Thomson CSF	MC104K4G	C3,4
10	1	Diode, Power 1N4004	CR0001	Fairchild	1N4004	CR1
11	4	Nut, Keps 6-32	H0038			
12	2	Screw, PH Pan HD 5-63 x 1 3/16	H0043			
13	2	SCREW,6-32 X 3/8 PS PH	H0049			
14	4	SCREW #6 X 3/8 SELFTAPP	H0064			
15	2	SCREW,6-32 15/16 PS PH FILHD	H0075			
16	1	I.C. CMOS 4024	IC0002	RCA	CD4024BE	IC1
17	1	Connector, 6 Pin	00599	PDC	00599	J1
18	2	Lamp, Neon	L0001	Chicago Min.	CA2	I1,2
19	2	Res. 510 ohm 1/4W	R0004	Dale		R5,R11
20	1	Res. 12K 1/4W	R0014	Dale		R4
21	4	Res. 56K 1/4W	R0018	Dale		R3,8,10,14
22	1	Res. 150K 1/4W	R0020	Dale		R2
23	1	Res. 2.5K 5W	R0036	TRW	PW5-2.5K	R1
24	2	Res. 110 ohm 1/4W	R0046	Dale		R6,12
25	2	Res. 5.6K 5W	R0048	TRW	PW5-5.6K	R9,15
26	2	Res. 22 ohm 1/4W	R0055	Dale		R7,13
27	3	Transistor , 2N4401	Q0004	G.E.	2N4401	Q1,2,3
28	2	Triac .8A 500V	TR0010	Teccor	Q501E3	TR1,3
29	2	Triac 25A 500V	TR0012	Teccor	Q5025LX	TR2,4



SSF-86-3 Manual Rev C