



EAGLE Polycarbonate 16-inch Pedestrian Signal

#100F

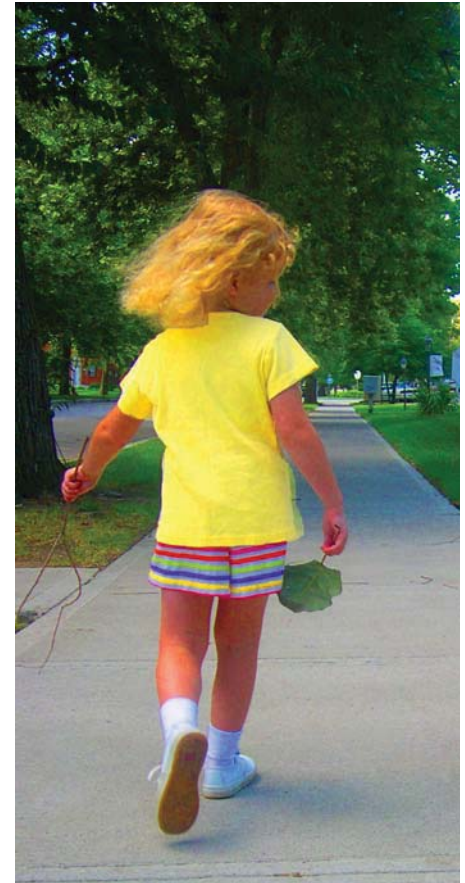
Our high quality LED-ready one-piece injection-molded polycarbonate unit is compatible with standard signal hardware.

Traffic & Parking Control Company Inc. 5100 W. Brown Deer Road, Brown Deer, WI 53223
Phone 262-814-7000 Toll Free 800-236-0112
Fax 414-354-5481 Toll Free 800-444-0331
www.tapconet.com

www.itssiemens.com

SIEMENS

The Polycarbonate 16-inch Pedestrian Signal is available in three different colors, though the eggcrate visor is only available in flat black.



The LED housing is a one-piece injection-molded polycarbonate, with two integrally-molded hinge lugs, screw slots, and openings at each end.

The openings will accommodate standard 1.5" pipe brackets, as well as our side-of-pole bracket. The top and bottom openings of the housing has an integrally-molded Shurlock boss. The radial angular grooves of the Shurlock boss provide 5° increment positioning of the signal to eliminate rotation or misalignment of the signal.

The housing is available with a knock-out plug at the top and bottom. This plug eliminates the need for additional hardware to close these openings when using a clamshell or post-top mounting bracket.

The swing-down-door is a single piece injection-molded polycarbonate, with two (2) hinge lugs molded on the bottom of the door, and two (2) latch points on the top. The door is attached to the bottom of the housing using two (2) cotter-less locking pins. Two (2) eye bolts

and wing nuts on the top allow the door to be opened and closed without the need for special tools.

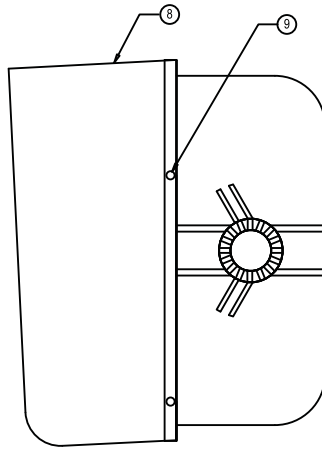
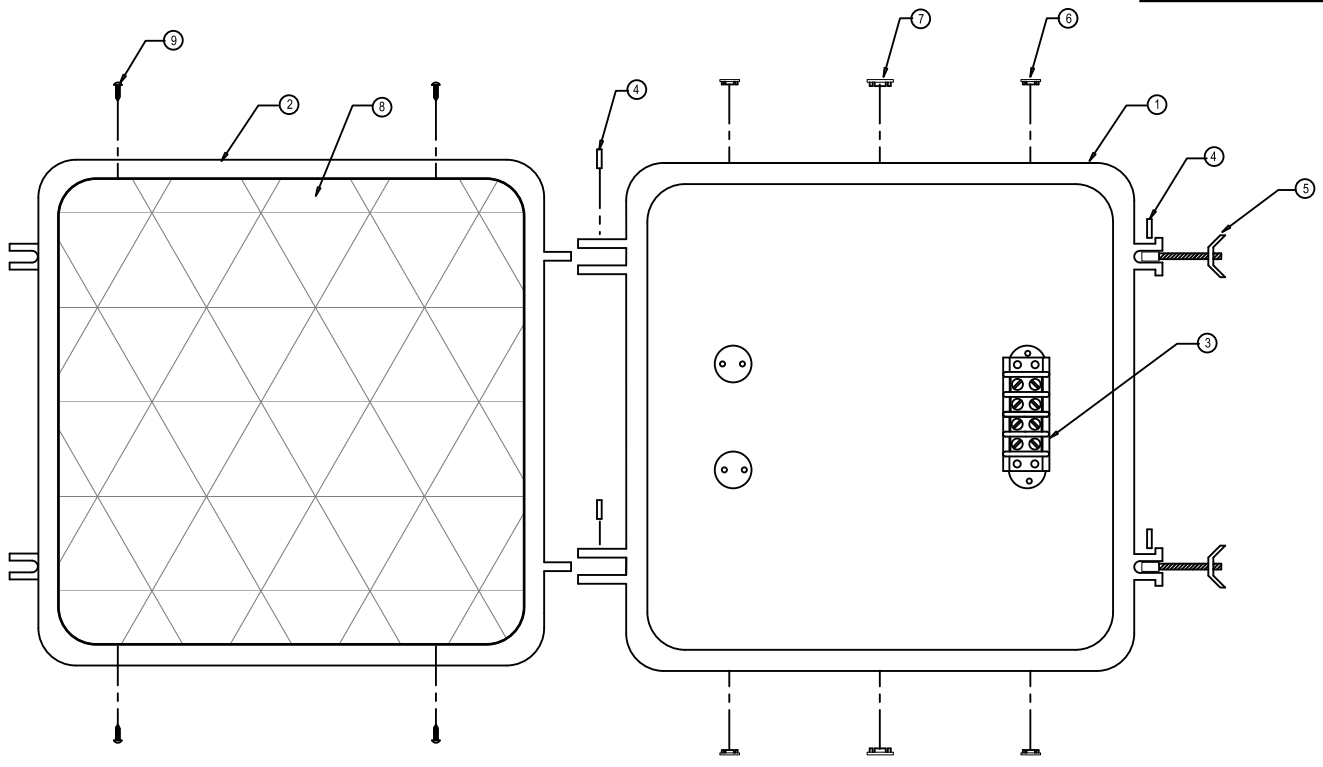
The egg crate visor option is designed to eliminate sun phantom and minimize damage to the LED.

The egg crate visor is inserted through the back side of the door and secured with screws, overlapping by 1/2 inch. It is sealed when the door is closed, which prevents light from escaping between the visor and the door.

The design of the LED housing provides for minimum weight with maximum rigidity and strength, meeting or exceeding ITE specifications.

- **Standard Housing** – One-piece polycarbonate unit with serrations in 5° increments on the top and bottom. The housing is equipped with stainless steel cotter-less hinge pins and locking wing nut assemblies. Each housing has provisions for mounting two (2) 4-position terminal blocks.

- **Maintenance Housing** – Same as Standard Housing, but with five (5) mounting holes on one side to accommodate a clamshell mounting bracket. Hinge pins and eye-bolts may easily be removed without tools to reverse door, allowing clamshell mounting on either side, without additional holes or plugs.
- **Door** – One-piece polycarbonate door that can be used with a polycarbonate tunnel or eggcrate visor.
- **Visor** – Injection-molded polycarbonate eggcrate visor or formed polycarbonate tunnel visor, each secured to the door with stainless steel screws.
- **Lens** – The housing is designed to accommodate 16-inch LEDs.
- **Gasket** – The housing is design to work with a gasket supplied by LED manufacturer.
- **Positive Positioning** – Positive positioning and locking is achieved through the use of serrated brackets.
- **Mounting** – Housing is completely compatible with all standard signal hardware.



INSTALLATION OF TUNNEL VISOR

Ref. No.	Description	Part Number		XX	Color
		Standard	Maintenance		
1	Signal Housing	PDM06402S-XX	PDM06402M-XX	01	Green
2	Door	PDM06403-XX	PDM06403-XX	02	Yellow
3	4-Position Terminal Block	A182944	A182944	03	Gloss Black
4	Cotter-less Pin	PEX006380	PEX006380		
5	Wing Nut Assembly	PEX06224P001	PEX06224P001		
6	3/8" Black Hole Plug	N/A	PHP006157		
7	3/4" Black Hole Plug	N/A	PHP006158		
8	Eggcrate Visor	A70012303	A70012303		
	Tunnel Visor	A852308-XX	A852308-XX		
9	Eggcrate Visor Screw 8-32	PEX06170P001	PEX06170P001		
	Tunnel Visor Screw 8-32	133029	133029		

Dimensions

16.75" H x 18.75" W x 7" D
(425 mm H x 476 mm W x 178 mm D)

Dimensions w/ Tunnel Visor

16.75" H x 18.75" W x 13.75" D
(425 mm H x 476 mm W x 349 mm D)

Dimensions w/ Eggcrate Visor

16.75" H x 18.75" W x 7.5" D
(425 mm H x 476 mm W x 191 mm D)

Weight

8 lbs. / 3.64 kg

Weight (w/ Tunnel Visor)

10 lbs. / 4.54 kg

Weight (w/ Eggcrate Visor)

10 lbs. / 4.54 kg

Weight (Housing only)

6.6 lbs. / 3 kg

For more advanced future features and/or more information on Siemens hardware products call (512) 837-8310 or call your local dealer (see website for the dealer in your area).

Siemens reserves the right to alter any of the Company's products or published technical data relating thereto at any time without notice.

EAGLE is a registered trademark of Siemens Energy & Automation, Inc., Business Unit Intelligent Transportations Systems.

Siemens Energy & Automation, Inc.
Business Unit Intelligent Transportation Systems
8004 Cameron Road, Austin, TX 78754
Ph: (512) 837-8310 • Fax: (512) 837-0196